

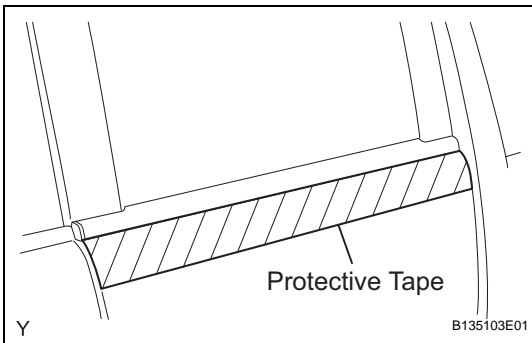
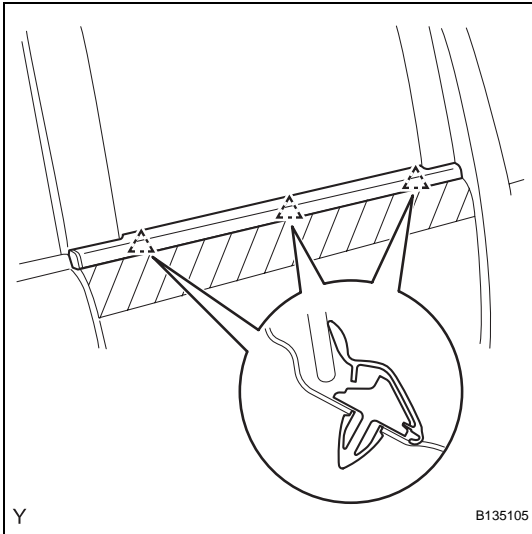
INSTALLATION

HINT:

The procedure described below is for the LH side. Use the same procedure for both the RH and LH sides, unless otherwise specified.

1. INSTALL ACCESS DOOR GLASS OUTER WEATHERSTRIP

- (a) Engage the 3 clips and install a new access door glass outer weatherstrip.



- (b) Remove the protective tape.